
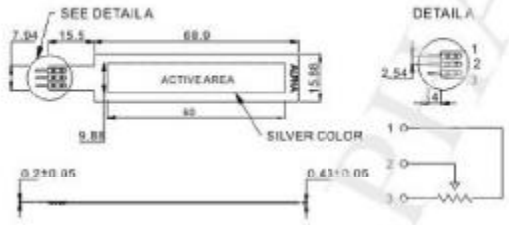
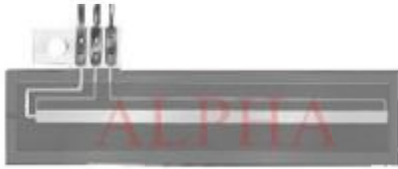
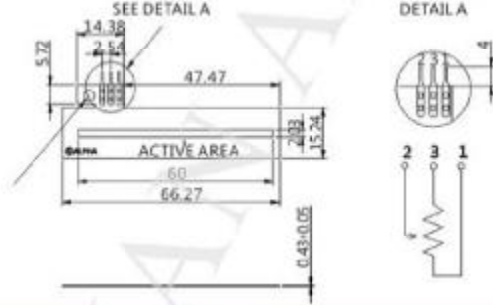




MEMBRANE POSITION SENSOR

Model

Features/
Individual Specification


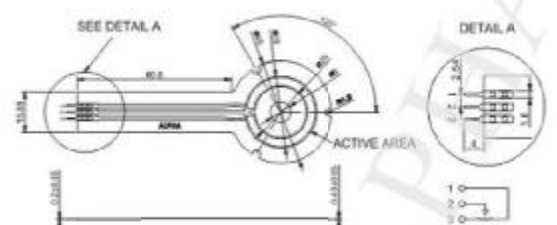

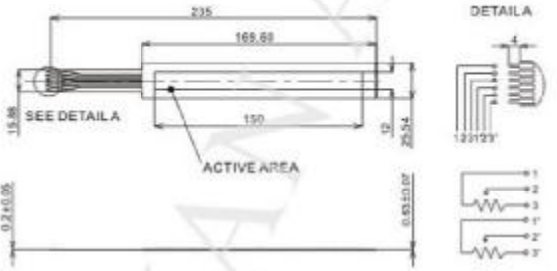

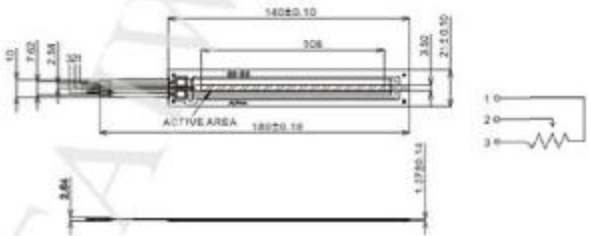
<p>MAT060-B□□K-231-A01</p>  <p style="text-align: right;">NEW</p>	
<p>MAT060-B□□K-231-A02</p>  <p style="text-align: right;">NEW</p>	
<p>MAT060-B□□K-231-A03</p>  <p style="text-align: right;">NEW</p>	

SPECIFICATION

MODEL	MAT060-B□□K-231-A01	MAT060-B□□K-231-A02	MAT060-B□□K-231-A03
POSITION LINEARITY, INDEPENDENT	±3%	±3%	±3%
RESISTANCE TOLERANCE	±20%	±20%	±20%
ACTIVE LENGTH	60 mm	60 mm	60 mm
POWER RATING	1 Watt max. @25°C	1 Watt max. @25°C	1 Watt max. @25°C
LIFE CYCLE(WITHOUT FAILURE)	0.5 million	0.5 million	0.5 million
OPERATING TEMPERATURE	-20°C to +70°C	-20°C to +70°C	-20°C to +85°C
IP RATING	IP65	IP65	IP65
HUMIDITY	No affect @ 95% RH, 4hrs<50°C	No affect @ 95% RH, 4hrs<50°C	No affect @ 95% RH, 4hrs<50°C

Model

Features/
Individual Specification

<p>MVT040-B□□K-231-A01</p>  <p style="text-align: right;">NEW</p>	
<p>MAS150-B□□K-262-A01</p>  <p style="text-align: right;">NEW</p>	
<p>MAT100-B□□K-331-A01</p>  <p style="text-align: right;">NEW</p>	

SPECIFICATION

MODEL	MVT040-B□□K-231-A01	MAS150-B□□K-262-A01	MAT100-B□□K-331-A01
POSITION LINEARITY, INDEPENDENT	±3%	±3%	±3%
RESISTANCE TOLERANCE	±20%	±20%	±20%
ACTIVE ANGLE/LENGTH	345 degrees	150 mm	106 mm
POWER RATING	1 Watt max. @25°C	1 Watt max. @25°C	1 Watt max. @25°C
LIFE CYCLE(WITHOUT FAILURE)	0.5 million	0.5 million	0.5 million
OPERATING TEMPERATURE	-20°C to +70°C	-20°C to +70°C	-20°C to +70°C
IP RATING	IP65	IP65	IP65
HUMIDITY	No affect @ 95% RH, 4hrs<50°C	No affect @ 95% RH, 4hrs<50°C	No affect @ 95% RH, 4hrs<50°C