

Low-Profile Slide Series

Application

✓ Audio, Home appliance, Lighting control, etc.

Feature

✓ Smooth slide feeling.



■Specification

Operating Temperature Range	-10 °C~70°C
Standard Resistance Tolerance	±20%
Insulation Resistance	100 MΩ Min. at DC250V
Dielectric Strength	1 minute at 300V AC
Travel Distance	100mm
Operating Force	30~250 gf.cm
Sliding Life	15,000 cycles

■How to order

RA0021WF - 20 - 15C1 - B10K

[Model](#)

[Lever Type](#)

Taper and Resistance Value

Ex:

Order Code	Taper	Resistance Value
A100K	Log/A	100KΩ
B1M	Linear/B	1MΩ

Taper: A and B

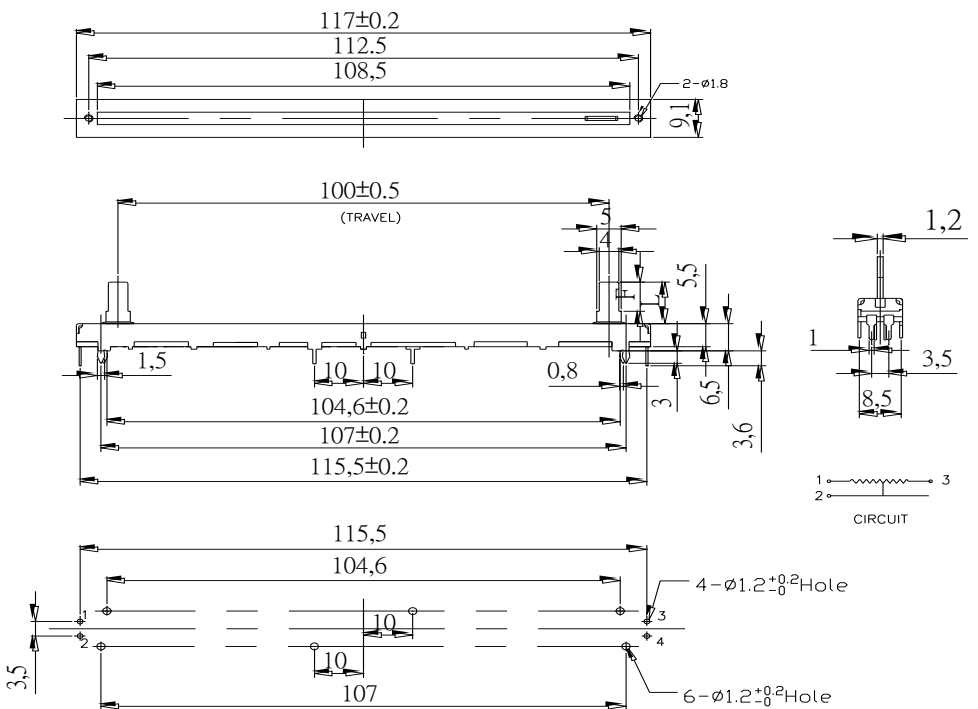
Resistance Value: 1KΩ to 500KΩ and 1MΩ

*Contact us for other requirements.

Low-Profile Slide Series

Model Description

Model	Number of Unit	Travel Distance	Type of Terminal	Tap	Mounting Height
RA0021WF-20	Single Unit	100mm	PC board (vertical)	N/A	6.5mm

Order Code	Outline Drawing
RA0021WF-20	 <p>Dimensions (mm):</p> <ul style="list-style-type: none"> Top view: 117±0.2, 112.5, 108.5, 2-∅1.8, 0.1 Side view: 100±0.5 (TRAVEL), 1.5, 10, 10, 0.8, 5.5, 3, 6.5, 3.6, 1.2, 1, 3.5, 8.5 Bottom view: 115.5, 104.6, 4-∅1.2±0.02Hole, 3.5, 10, 107, 6-∅1.2±0.02Hole <p>CIRCUIT: 1, 2, 3</p>

Lever Type

Model	RA0021WF Series																
Lever Type	C1			D1			DA			CA		AA					
Dimension	Metal lever t=1.2			Metal lever t=1.2			Insulated lever			Insulated lever		Insulated lever					
Length(L)	F	7	10	10	10	F	7	10	10	10	12.5	15	18	20	5	10	10
	L	10	15	20	25	L	10	15	20								

Design and specifications presented here are for the standard parts only. Please kindly contact us for your special requests and ask for the current technical specifications before purchase and/or use.

[Back to top](#)